

30l & 55l Milk Receivers

1 30 litre Milk Receivers

- [614909](#) - Single Phase Ø51
- [614910](#) - Three Phase Ø51

2 55 litre Milk Receivers

- [614911](#) - Single Phase Ø76
- [614912](#) - Three Phase Ø76

3 Control Boxes

- [614099](#) - 24V 1Ph 220/240V
- [614098](#) - 24V 3Ph 380V
- [614172](#) - 24V 3Ph 380V
- [614005](#) - 24V 1Ph 220/240V
- [614097](#) - 24V 3Ph 220V
- [614098](#) - 24V 3Ph 380V

4 607857 - Pump Starter

5 Milk Pumps

- [613496](#) - 0.75kW 1Ph 50Hz LH
- [613497](#) - 0.75kW 3Ph 50Hz LH
- [613501](#) - 0.75kW 1Ph 50Hz RH
- [613502](#) - 0.75kW 3Ph 50Hz RH

6 614122 - Sanitary Trap Ø51

- [614123](#) - Sanitary Trap Ø76

7 614348 - Rubber Ball

8 614000 - Base Plate LH

- [614001](#) - Base Plate RH

9 613204 - Spanner 52—55mm

- [608649](#) - Spanner

10 614003 - Support

11 613999 - S.T Tie Rod

12 613997 - Restrictor 8mm

13 Clamp Pack

[301434](#) - 40mm Orange

[301433](#) - 51mm Orange

[314518](#) - 51mm Grey

[313289](#) - 76mm Grey

[614761](#) - 51mm S/S

14 Receiver Assembly

[614117](#) - 30L Ø51

[614094](#) - 55L Ø76

15 FOR LIDS & MILK LINE WASH SECTIONS PLEASE SEE SEPARATE DIAGRAMS

16 613119 - Lid Gasket

17 614002 - Vessel Cradle

18 614014 - Wall Support

19 607755 - Step Seal 40mm

20 300137 - Outlet Bend

21 607946 - Drain Nozzle

22 Milk Pump Cover

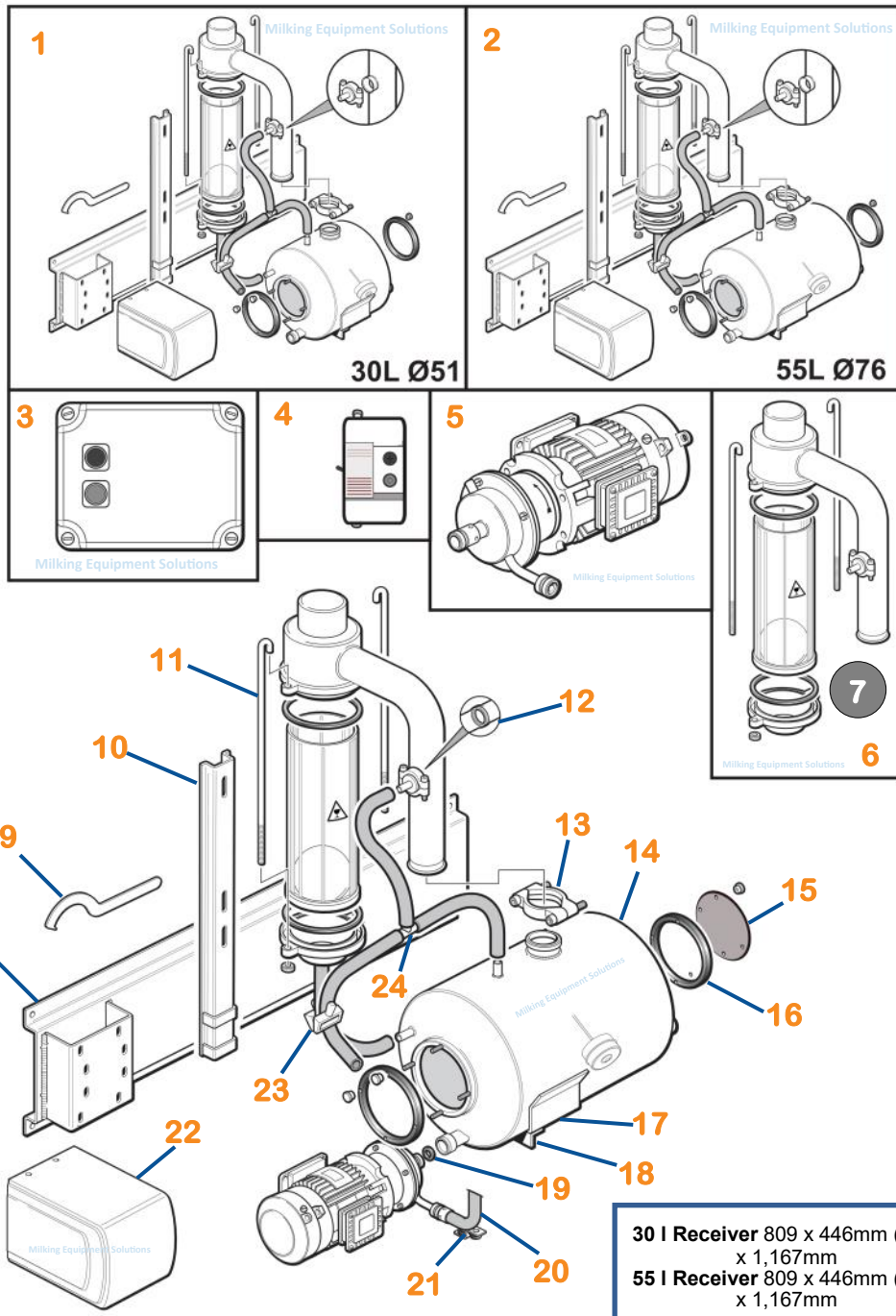
[614954](#) - Blue

[614953](#) - Grey

[613047](#) - Orange

23 614013 - Twin Roll Clip

24 607943 - Plastic Tee, Equal



30 l Receiver 809 x 446mm (691)
x 1,167mm
55 l Receiver 809 x 446mm (691)
x 1,167mm